



# ARS

## 系列不锈钢气动执行器

### ARS SERIES PNEUMATIC ACTUATORS

无锡爱圣拓克流体控制有限公司  
Ascend Torque Flow Controls Co., Ltd.



爱圣拓克是中国较早研制、开发和生产齿轮齿条式气动执行器的工厂之一。经过近多年的改革与创新，爱圣拓克正向世界各地供应高质量的气动执行器和阀门控制产品。

为了给客户创造价值，爱圣拓克坚持不断改进并引进先进的生产工艺，严格控制产品质量。高精度的加工中心和专业的产品研发团队，为产品质量的可靠性、稳定性提供了有力保障，同时也保证了新产品研发的质量和效率。

公司本着“传承匠心，融合创新”的核心理念，竭诚为新老客户提供更周到的服务，更专业的技术，更卓越的产品。

ASCEND TORQUE is a professional manufacturer of rack & pinion pneumatic actuator. With many years reform and innovation, ASCEND TORQUE is supplying the high-quality pneumatic actuators and other valve control products to all over the world.

To create customer value, ASCEND TORQUE continues to improve and introduce advanced production technology and strict control of product quality all the time. The world class production equipment and professional engineering team provides strong guarantee for the reliability and stability of product quality, and also for the quality and efficiency of researching and developing new products.

ASCEND TORQUE will offer all of our new and regular customers more attentive service, more professional technology and more excellent products.

### 技术特点/Design and Feature

输出扭矩范围广。我们总共有10种不同尺寸(规格)的执行机构可供选择。在5Bar起源压力下的输出扭矩范围从15Nm到3815Nm。ARS-300不锈钢执行机构具有3815Nm的输出扭矩。

Wide scope of output torque. Totally, we have 10 different size (specifications) actuators for choice. The output torque range is from 15Nm to 3815Nm at 5 Bar. The ARS-300 stainless steel actuator has an output torque of 3815Nm.



不锈钢限位开关  
SS304/316 Limit switch box

优秀的耐蚀性。ARS系列执行机构的主要部件及其附件均采用不锈钢制造。阀体和端盖采用熔模铸造不锈钢制造。CF8(304)和CF8M(316)可供选择。根据需要，齿轮和紧固件由304或316制成。近20年的使用经验证明，这种不锈钢气动材料对绝大多数腐蚀性化学品(如酸、碱)以及海洋、油气平台、制药、食品等腐蚀性工业环境具有优异的耐腐蚀性。

Excellent corrosion resistance. All main parts of ARS series actuator and its accessories are made from stainless steel. The body and end-caps is made by investment casting stainless steel. The CF8 (304) and CF8M (316) are available for choice. The pinion and fastening are made by 304 or 316 on requiring. Nearly 20 years experience of application proved that this kind of stainless steel pneumatic is able to offer excellent resistance to most corrosive chemicals (such as acid, alkali) as well as corrosive industry atmospheres, such as offshore, oil and gas platform, pharmaceutical and food industry.

镍磷合金、高精度一体式驱动轴同时符合NAMUR、ISO5211/DIN3337标准。可根据客户要求定制尺寸和不锈钢材料。

The drive shaft is high-precision and integrative, made from nickel plated alloy steel, full conform to the latest standards of ISO5211, DIN3337, NAMUR. The dimensions can be customized and the stainless steel is available.



驱动轴/Drive shaft

活塞&凸轮  
Piston&Cam



调整方便。两个独立的外部行程调节螺栓，可以在0°和90°的行程范围内进行±5°调节。Flexible adjustment in travel ends. The two independent external travel stop bolts allow ±5° adjustment at 0° and 90° of the quarter travel.



符合Namur和ISO5211安装标准。ARS系列不锈钢气动执行机构适用于电磁阀、限位开关和定位器的Namur安装，并提供ISO5211组合安装垫片，可直接安装到四分之一转阀门上。

Namur and ISO5211 Mount. ARS series Stainless Steel Pneumatic Actuators are designed to incorporate Namur mounting for solenoids, limit switches and positioners and offer a ISO5211 combination mounting pads that allow you to mount directly to quarter turn valves.



轴顶部/Top of shaft



底部连接/Bottom connection



标准气源接口/Air connection

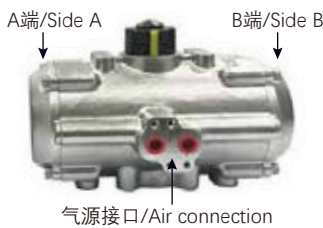
单作用高性能弹簧。预压缩涂层弹簧采用优质材料制成，具有耐腐蚀、使用寿命长等特点，安装拆卸安全方便，可通过更换弹簧数量，满足不同扭矩要求。

Single acting with high performance springs. Preloaded coating springs are made from the high quality material for resistant to corrosion and longer cycle life, which can be demounted safely and conveniently to satisfy different requirements of torque by changing quantity of springs.



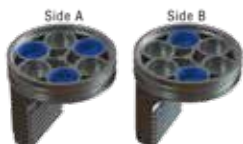
高性能弹簧/Springs

### 弹簧配置/Spring Set Configuration

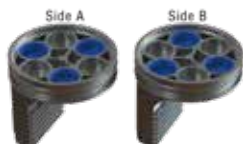


在单作用执行器的选配过程中，如果能够了解阀门在开启、运行和关闭时的扭矩分配，我们就可以更加经济、更加合理地选配执行器。

During selecting the spring return actuators, we can choose the more reasonable and more economical actuators, if we know the different torques of the valve at opening, operating and closing.



5根弹簧/SR5



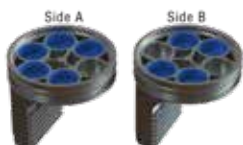
6根弹簧/SR6



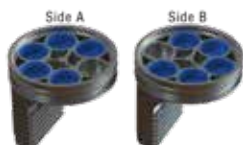
7根弹簧/SR7



8根弹簧/SR8



9根弹簧/SR9



10根弹簧/SR10



11根弹簧/SR11



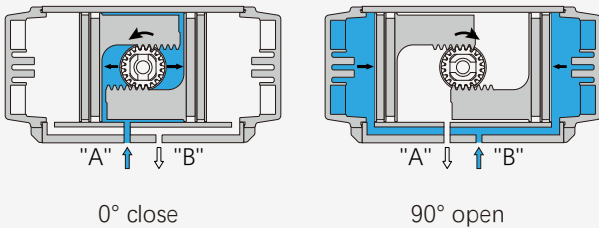
12根弹簧/SR12



工作原理/Operating Principle

双作用执行器 Double Acting Actuators

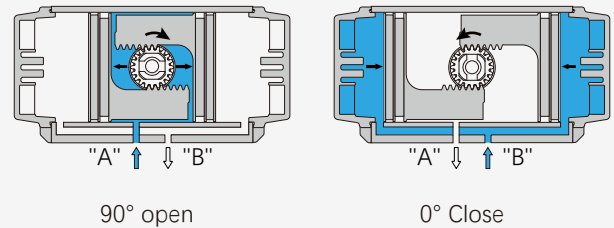
CCW (Standard)



A口进气, 压缩空气推动活塞向外运动, 使执行器输出轴逆时针旋转( $0^\circ \rightarrow 90^\circ$ ), B口排气。B口进气, 压缩空气推动活塞向内运动, 使执行器输出轴顺时针旋转( $90^\circ \rightarrow 0^\circ$ ), A口排气。

Air to Port A forces the pistons outwards, causing the drive shaft to turn counterclockwise while the air is being exhausted from Port B. Air to Port B forces the pistons inwards, causing the drive shaft to turn clockwise while the air is being exhausted from Port A.

CW

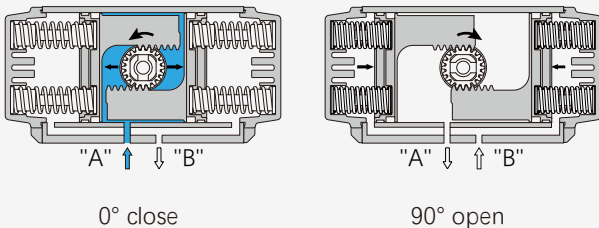


A口进气, 压缩空气推动活塞向外运动, 使执行器输出轴顺时针旋转( $90^\circ \rightarrow 0^\circ$ ), B口排气。B口进气, 压缩空气推动活塞向内运动, 使执行器输出轴逆时针旋转( $0^\circ \rightarrow 90^\circ$ ), A口排气。

Air to Port A forces the pistons outwards, causing the drive shaft to turn clockwise while the air is being exhausted from Port B. Air to Port B forces the pistons inwards, causing the drive shaft to turn counterclockwise while the air is being exhausted from Port A.

单作用执行器 Spring Return Actuators

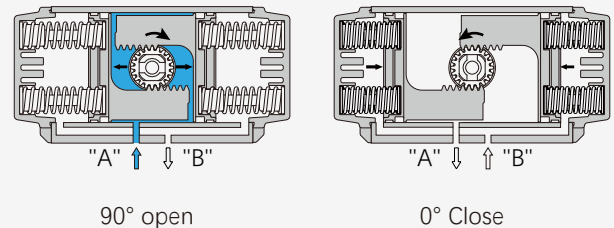
FC-CCW (Standard)



A口进气, 压缩空气克服弹簧力, 推动活塞向外运动, 执行器输出轴逆时针转动( $0^\circ \rightarrow 90^\circ$ ), B口排气; 执行器失气, 活塞在弹簧力的作用下向内运动, 执行器输出轴顺时针转动( $90^\circ \rightarrow 0^\circ$ ), A口排气。

Air to port A forces the pistons outwards, causing the springs to compress, The drive shaft turns counterclockwise while air is being exhausted from port B. Loss of air pressure on port A, the stored energy in the springs forces the pistons inwards. The drive shaft turns clockwise while air is being exhausted from port A.

FO-CW

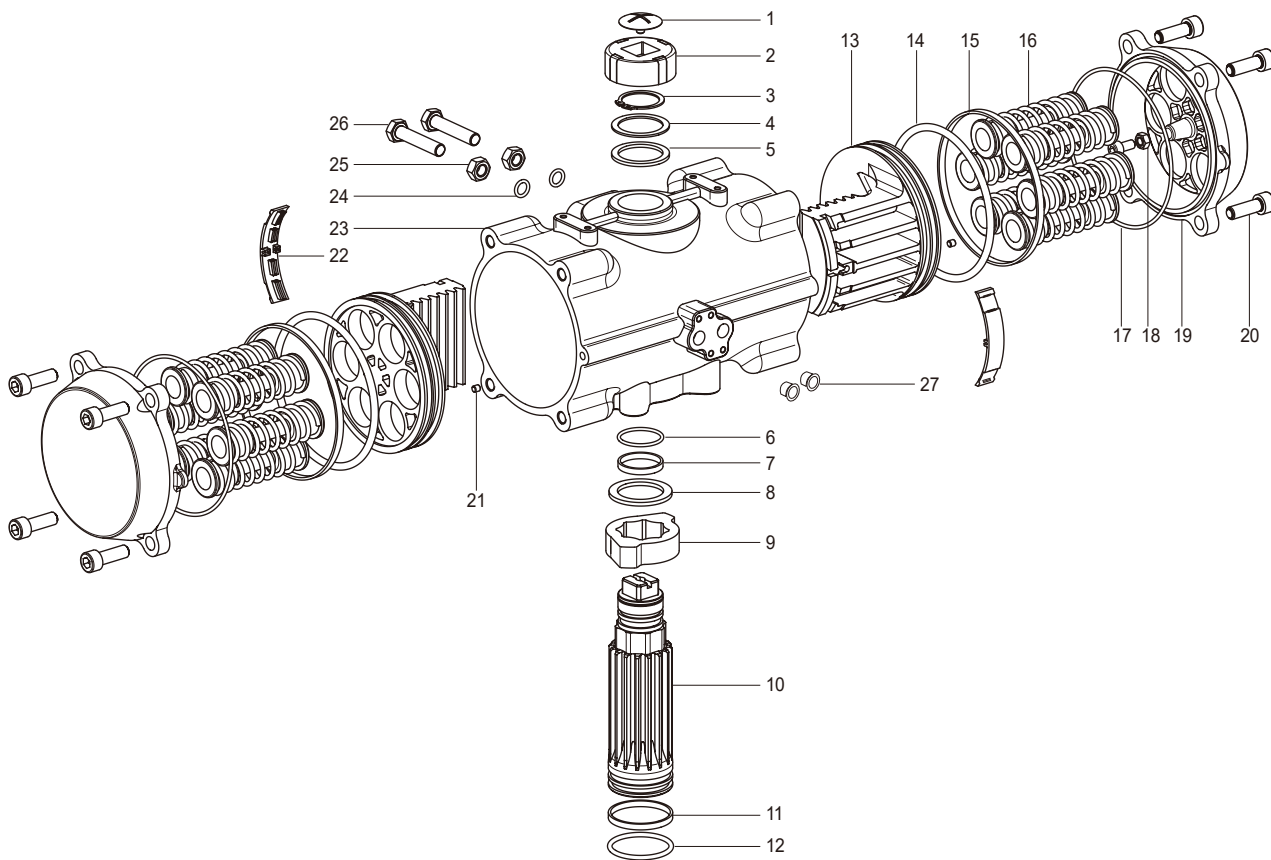


A口进气, 压缩空气克服弹簧力, 推动活塞向外运动, 执行器输出轴顺时针转动( $90^\circ \rightarrow 0^\circ$ ), B口排气; 执行器失气, 活塞在弹簧力的作用下向内运动, 执行器输出轴逆时针转动( $0^\circ \rightarrow 90^\circ$ ), A口排气。

Air to port A forces the pistons outwards, causing the springs to compress, The drive shaft turns clockwise while air is being exhausted from port B. Loss of air pressure on port A, the stored energy in the springs forces the pistons inwards. The drive shaft turns counterclockwise while air is being exhausted from port A.



部件与材质/Structure and Materials



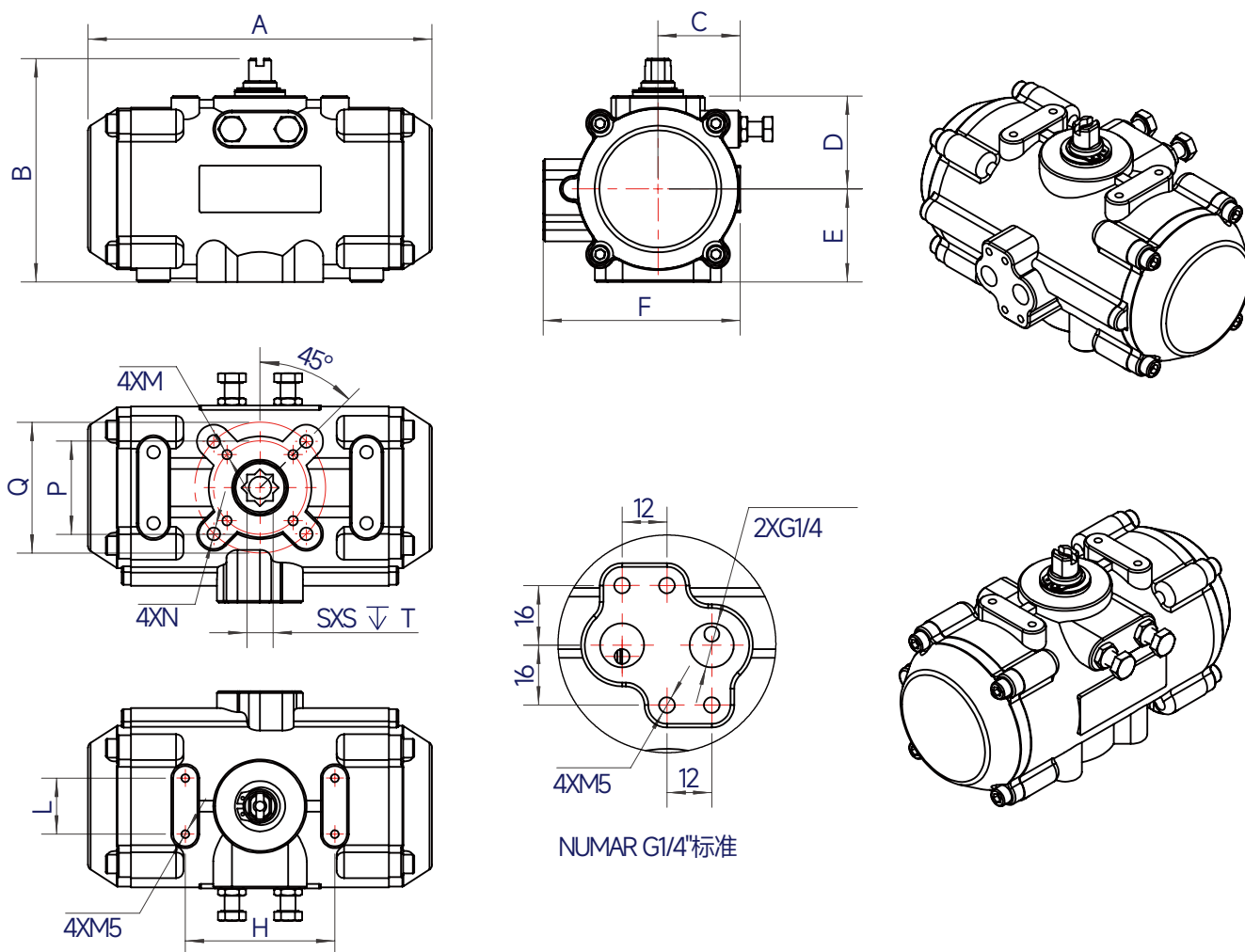
序号 No.	名称 Description	数量 Qty.	材料 Standard Material
1	指示器螺钉 Indicator Screw	1	塑料+不锈钢 Plastic+Stainless Steel
2	指示器 Indicator	1	塑料 Plastic (ABS)
3	卡簧 Spring Clip	1	不锈钢 (304/316) Stainless steel (304/316)
4	垫圈 Thrust washer	1	不锈钢 (304/316) Stainless steel (304/316)
5	外垫片 Outside washer	1	工程塑料 POM
6	上轴O型圈 O-ring (shaft top)	1	丁腈橡胶(氟橡胶) NBR (Viton/LTNBR)
7	上轴支承圈 Bearing (shaft top)	1	工程塑料 POM
8	内垫片 Inside washer	1	工程塑料 POM
9	凸轮 Cam	1	不锈钢 (304/316) Stainless steel (304/316)
10	驱动轴 Drive shaft	1	不锈钢 (304/316) Stainless steel (304/316)
11	下轴支承圈 Bearing (shaft bottom)	1	工程塑料 POM
12	下轴O型圈 O-ring (shaft bottom)	1	丁腈橡胶(氟橡胶) NBR (Viton/LTNBR)
13	活塞 Piston	2	不锈钢 (304/316) Stainless steel (304/316)
14	活塞O型圈 O-ring (Piston)	2	丁腈橡胶(氟橡胶) NBR (Viton/LTNBR)

序号 No.	名称 Description	数量 Qty.	材料 Standard Material
15	活塞支承圈 Bearing (Piston)	2	工程塑料 POM
16	弹簧 Spring	0-12	弹簧钢 Spring steel
17	端盖O型圈 O-ring (End cap)	2	丁腈橡胶(氟橡胶) NBR (Viton/LTNBR)
18	限位螺栓 Stop Screw	2	不锈钢 (304/316) Stainless steel (304/316)
19	端盖 End cap	2	不锈钢 (304/316) Stainless steel (304/316)
20	端盖紧固螺钉 End cap screw	8	不锈钢 (304/316) Stainless steel (304/316)
21	塞头 Plug	2	丁腈橡胶(氟橡胶) NBR (Viton/LTNBR)
22	活塞导板 Guide (Piston)	2	尼龙66 Nylon66
23	缸体 Body	1	不锈钢 (304/316) Stainless steel (304/316)
24	调节螺杆O型圈 O-ring (Adjust screw)	2	丁腈橡胶(氟橡胶) NBR (Viton/LTNBR)
25	调节螺杆螺母 Nut (Adjust screw)	2	不锈钢 (304/316) Stainless steel (304/316)
26	调节螺杆 Adjust screw	2	不锈钢 (304/316) Stainless steel (304/316)
27	防尘塞 Dustproof plug	2	塑料 Plastic





ARS外形尺寸/Dimensions for ARS



单位:毫米/Unit:mm

型号 Model	A	B	C	D	E	F	HxL	P	Q	M	N	SXS	T	气源接口 Air Connection
ARS-45	133	84	28	32	32	70	80X30	Ø36	Ø50	M5	M6	11X11	13	G1/4"
ARS-52	146	92	30	36	36	79	80X30	Ø36	Ø50	M5	M6	11X11	13	G1/4"
ARS-63	173	108	36	44	44	93	80X30	Ø50	Ø70	M6	M8	14X14	18	G1/4"
ARS-75	184	120	44	50	50	106	80X30	Ø50	Ø70	M6	M8	14X14	20	G1/4"
ARS-83	211	128	48	54	54	114	80X30	Ø50	Ø70	M6	M8	17X17	19	G1/4"
ARS-92	262	138	49	59	59	126	80X30	Ø50	Ø70	M6	M8	17X17	22	G1/4"
ARS-105	270	153	50	67	67	137	80X30	Ø70	Ø102	M8	M10	22X22	26	G1/4"
ARS-125	302	175	58	78	78	157	130X30	Ø70	Ø102	M8	M10	22X22	27	G1/4"
ARS-140	394	192	69	86	86	173	130X30	Ø102	Ø125	M10	M12	27X27	32	G1/4"
ARS-160	456	218	75	99	99	195	130X30	Ø102	Ø125	M10	M12	27X27	32	G1/4"
ARS-190	528	260	86	115	115	235	130X30	Ø140		M16		36X36	40	G1/4"
ARS-210	532	285	101	128	128	255	130X30	Ø140		M16		36X36	40	G1/4"
ARS-240	608	322	115	146	146	294	130X30	Ø165		M20		46X46	49	G1/4"
ARS-270	714	361	126	166	166	327	130X30	Ø165		M20		46X46	49	G1/2"
ARS-300	783	384	144	177	177	355	130X30	Ø165		M20		46X46	56	G1/2"
ARS-400	940	491	180	232	232	439	130X30	Ø165	Ø254	M16	M20	55X55	61	G1/2"



## 技术数据/Technical Data

### 重量表/Weight

单位: 公斤/Unit: KG

型号/Model	45	52	63	75	83	92	105	125	140	160	190	210	240	270	300	400
双作用/DA	1.8	2.5	3.6	6.5	6.5	9.2	10	12.1	15.5	27	45	71.5	86	145	198	351
单作用/SR10	1.9	2.6	3.7	6.7	6.8	9.8	11	13	17	30	51	79	97	163	221	389

### 耗气量/Air Consumption

单位: 升/Unit: L

型号/Model	45	52	63	75	83	92	105	125	140	160	190	210	240	270	300	400
开向体积 Open volume	0.08	0.12	0.21	0.3	0.43	0.64	0.95	1.6	2.5	3.8	6.1	7.8	11.3	17.5	23.8	52.6
关向体积 Close volume	0.11	0.16	0.23	0.34	0.47	0.73	0.88	1.4	2.3	3.4	5.6	7.8	9.5	14.8	29.7	56

### 工作时间/Operating Time

单位: 秒/Unit: S

双作用 Double Acting			单作用 (弹簧数量) / Spring Return (Spring Qty.)														
				3+3	3+3	3+4	3+4	4+4	4+4	4+5	4+5	5+5	5+5	5+6	5+6	6+6	6+6
Size	0°~90°	90°~0°	Size	0°~90°	90°~0°	0°~90°	90°~0°	0°~90°	90°~0°	0°~90°	90°~0°	0°~90°	90°~0°	0°~90°	90°~0°	0°~90°	90°~0°
45DA	0.5	0.5	45SR	-	-	-	-	-	-	-	-	-	-	-	-	-	-
52DA	0.6	0.6	52SR	2.46	0.48	2.48	0.46	2.50	0.44	2.52	0.42	2.54	0.40	2.56	0.38	2.58	0.36
63DA	0.7	0.7	63SR	2.54	0.56	2.56	0.54	2.58	0.52	2.60	0.50	2.62	0.48	2.64	0.46	2.66	0.44
75DA	0.8	0.7	75SR	2.62	0.64	2.64	0.62	2.66	0.60	2.68	0.58	2.70	0.56	2.72	0.54	2.74	0.52
83DA	0.9	0.8	83SR	2.71	0.73	2.73	0.71	2.75	0.69	2.77	0.67	2.79	0.65	2.81	0.63	2.83	0.61
92DA	1	1	92SR	2.89	0.86	2.91	0.84	2.93	0.82	2.95	0.80	2.97	0.78	2.99	0.76	3.01	0.74
105DA	1.5	1.5	105SR	3.14	0.91	3.16	0.89	3.18	0.87	3.20	0.85	3.22	0.83	3.24	0.81	3.26	0.79
125DA	2	2	125SR	4.24	1.20	4.26	1.18	4.28	1.16	4.30	1.14	4.32	1.12	4.34	1.10	4.36	1.08
140DA	2.5	2.5	140SR	4.40	1.35	4.40	1.33	4.62	1.31	4.64	1.29	4.66	1.27	4.68	1.25	4.68	1.22
160DA	4	3	160SR	4.74	1.77	4.76	1.75	4.78	1.73	4.80	1.71	4.82	1.69	4.82	1.67	4.84	1.65
190DA	5	4	190SR	5.75	3.70	5.77	3.50	5.75	3.48	5.77	3.46	5.79	3.44	5.80	3.42	5.83	3.40
210DA	5	4	210SR	8.25	4.80	8.40	4.60	8.42	4.58	8.44	4.56	8.46	4.54	8.48	4.52	8.50	4.50
240DA	6	6	240SR	16.20	5.14	16.40	5.12	16.42	5.10	16.44	4.90	16.60	4.98	16.80	4.86	17.00	4.84
270DA	8	8	270SR	17.60	6.28	17.80	6.26	17.60	6.24	17.80	6.20	18.00	6.18	18.20	6.16	18.40	6.14
300DA	12	12	300SR	24.00	13.20	24.50	13.00	24.40	12.80	24.30	12.60	24.50	12.58	24.70	12.56	24.90	12.54
400DA	15	15	400SR	45.00	27.00	51.00	27.00	51.30	26.80	51.50	26.80	51.70	26.60	51.90	26.40	52.10	26.20



## 工作条件/Operating Conditions

### 1. 工作介质/Operating Media:

经过滤直径小于40μm的干燥、润滑的空气，或非腐蚀性气体。  
Dry and lubricated air, or non-corrosive gas. The maximum particle diameter must be less than 40μm.

### 2. 气源压力/Air Supply Pressure:

工作气源压力2~8巴/The minimum supply pressure is 2 Bar . The maximum supply pressure is 8 Bar.

### 3. 工作温度/Operating Temperature:

标准/Standard (NBR O-ring): -20°C ~ 80°C (-4°F ~ 175°F);  
低温/Low Temperature (L NBR O-ring): -35°C ~ 80°C (-30°F ~ 175 °F);  
高温/High Temperature (Viton O-ring): -15°C ~ 150°C (5°F ~ 300°F).

### 4. 行程调节/Travel adjustment:

±5°的调节范围/Have adjustment range of ± 5° for the rotation at 0° and 90°

### 5. 润滑/Lubrication:

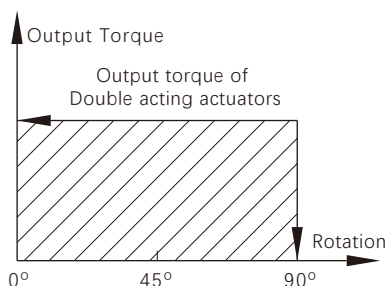
在正常操作条件下，无需添加润滑剂  
Under normal operating condition, need not accrete lubricant.

### 6. 最大压力/Highest pressure:

最大输入压力10巴/The maximum input pressure is 10 Bar.



## 双作用输出扭矩/For Double Acting Actuator Output Torque



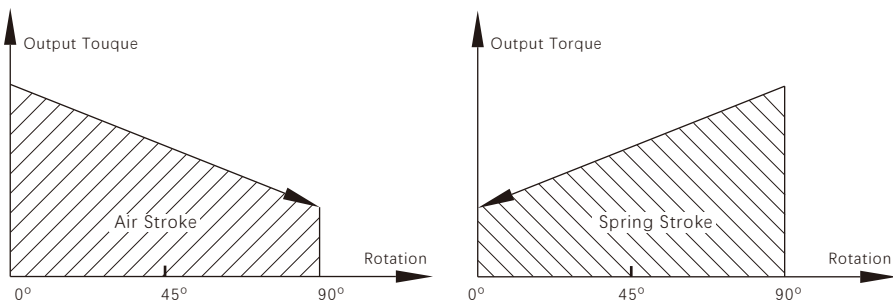
单位:牛米/Unit:Nm

型号/Model	3bar	4bar	5bar	6bar	7bar	8bar
ARS-45DA	9	12	15	18	21	24
ARS-52DA	12	16	20	24	28	32
ARS-63DA	22	29	36	43	51	58
ARS-75DA	30	40	50	60	70	80
ARS-83DA	47	62	78	94	109	125
ARS-92DA	68	90	113	135	158	181
ARS-105DA	98	130	163	196	228	261
ARS-125DA	151	201	251	301	351	401
ARS-140DA	261	348	434	521	608	695
ARS-160DA	397	530	662	794	927	1059
ARS-190DA	640	854	1067	1280	1494	1707
ARS-210DA	798	1064	1330	1596	1862	2128
ARS-240DA	1154	1539	1924	2309	2693	3078
ARS-270DA	1755	2340	2924	3510	4095	4680
ARS-300DA	2291	3055	3819	4583	5347	6110
ARS-400DA	4872	6496	8120	9744	11368	12992





单作用输出扭矩/Spring Return Actuators Output Torque



单位:牛米/Unit:Nm

气源压力 Air Pressure (Bar)		气源输出扭矩 / Output torque(Nm.)										弹簧输出扭矩 Spring Return Output	
型号/Model	弹簧数量 Spring Qty.	3bar		4bar		5bar		6bar		7bar		90° Start	0° End
		0° Start	90° End	0° Start	90° End	0° Start	90° End	0° Start	90° End	0° Start	90° End		
ARS-45SR	2	4.2	1.3	7.2	4.3	10.2	7.3					7.4	4.6
	3			6.0	2.4	<b>9.0</b>	<b>5.4</b>	12.0	8.4	15.0	11.4	<b>9.2</b>	<b>5.8</b>
	4					7.8	3.5	10.8	6.5	13.8	9.5	11.1	7.0
ARS-52SR	5	8.1	5.8	12.1	9.8							6.2	4.0
	6	7.3	4.6	11.3	8.6							7.4	4.7
	7	6.5	3.3	10.5	7.3	14.5	11.3					8.7	5.5
	8			9.7	6.1	13.7	10.1					9.9	6.3
	9			8.9	4.8	12.9	8.8	16.9	12.8			11.2	7.1
	10			8.1	3.6	<b>12.1</b>	<b>7.6</b>	16.1	11.6	20.1	15.6	<b>12.4</b>	<b>7.9</b>
	11			7.3	2.4	11.3	6.4	15.3	10.4	19.3	14.4	13.6	8.7
12					10.5	5.1	14.5	9.1	18.5	13.1	14.9	9.5	
ARS-63SR	5	14.9	11.3	22.1	18.5							10.4	6.8
	6	13.5	9.2	20.7	16.4							12.5	8.2
	7	12.1	7.1	19.3	14.3	26.5	21.5					14.6	9.6
	8			18.0	12.2	25.2	19.4					16.7	10.9
	9			16.6	10.0	23.8	17.2	31.1	24.5			18.9	12.3
	10			15.2	8.0	<b>22.4</b>	<b>15.2</b>	29.7	22.5	36.9	29.7	<b>20.9</b>	<b>13.7</b>
	11					21.1	13.2	28.4	20.5	35.6	27.7	22.9	15.0
12					19.7	11.1	27.0	18.4	34.2	25.6	25.0	16.4	
ARS-75SR	5	20.0	15.0	30.0	25.0							15.0	10.0
	6	18.0	12.0	28.0	22.0							18.0	12.0
	7	16.0	9.0	26.0	19.0							21.0	14.0
	8			24.0	16.0	34.0	26.0					24.0	16.0
	9			22.0	13.0	32.0	23.0	42.0	33.0			27.0	18.0
	10			20.0	10.0	<b>30.0</b>	<b>20.0</b>	40.0	30.0	50.0	40.0	<b>30.0</b>	<b>20.0</b>
	11			18.0	7.0	28.0	17.0	38.0	27.0	48.0	37.0	33.0	22.0
12					26.0	14.0	36.0	24.0	46.0	34.0	36.0	24.0	
ARS-83SR	5	30.5	23.0	46.5	39.0							23.0	15.5
	6	27.4	18.4	43.4	34.4							27.6	18.6
	7			40.3	29.8	56.3	45.8					32.2	21.7
	8			37.2	25.2	53.2	41.2					36.8	24.8
	9			34.1	20.6	50.1	36.6	65.1	51.6			41.4	27.9
	10			31.0	16.0	<b>47.0</b>	<b>32.0</b>	62.0	47.0	77.0	62.0	<b>46.0</b>	<b>31.0</b>
	11					43.9	27.4	58.9	42.4	73.9	57.4	50.6	34.1
12					40.8	22.8	55.8	37.8	70.8	52.8	55.2	37.2	
ARS-92SR	5	44.6	34.7	67.1	57.2							33.0	23.0
	6	40.0	28.1	62.5	50.6							39.5	27.6
	7			57.9	44.0	80.4	66.5					46.1	32.2
	8			53.3	37.4	75.8	59.9					52.7	36.8
	9			48.7	30.8	71.2	53.3	93.8	75.9			59.3	41.4
	10			44.1	24.2	<b>66.6</b>	<b>46.7</b>	89.2	69.3	111.7	91.8	<b>65.9</b>	<b>46.0</b>
	11					62.0	40.1	84.6	62.7	107.1	85.2	72.5	50.6
12					57.4	33.5	80.0	56.1	102.5	78.6	79.1	55.2	



气源压力 Air Pressure (Bar)		气源输出扭矩 / Output torque(Nm.)										弹簧输出扭矩 Spring Return Output	
型号/Model	弹簧数量 Spring Qty.	3bar		4bar		5bar		6bar		7bar		90° Start	0° End
		0° Start	90° End	0° Start	90° End	0° Start	90° End	0° Start	90° End	0° Start	90° End		
ARS-105SR	5	66.0	48.4	98.6	81.0							49.3	31.8
	6	59.6	38.5	92.2	71.1							59.2	38.1
	7			85.9	61.3	118.5	93.9					69.0	44.5
	8			79.5	51.4	112.1	84.0					78.9	50.8
	9			73.2	41.6	105.8	74.2	138.4	106.8			88.7	57.2
	10			66.8	31.7	99.4	64.3	132.0	96.9	164.5	129.4	98.6	63.5
	11					93.1	54.4	125.7	87.0	158.2	119.5	108.5	69.9
	12					86.7	44.6	119.3	77.2	151.8	109.7	118.3	76.2
ARS-125SR	5	100	72	150	122							78.0	50.0
	6	90	56	140	106							93.6	60.0
	7			130	91	181	142					109.2	70.0
	8			120	75	171	126					124.8	80.0
	9			110	60	161	110	211	161			140.4	90.0
	10			100	44	151	95	201	145	251	195	156.0	100.0
	11					141	79	191	129	241	179	171.6	110.0
	12					131	64	181	114	231	164	187.2	120.0
ARS-140SR	5	174	131	261	218							129.0	86.0
	6	157	105	244	192							154.8	103.2
	7			227	166	314	253					180.6	120.4
	8			209	141	296	228					206.4	137.6
	9			192	115	279	202	366	289			232.2	154.8
	10			175	89	262	176	349	263	436	350	258.0	172.0
	11					245	150	332	237	585	324	283.8	189.2
	12					228	124	315	211	402	298	309.6	206.4
ARS-160SR	5	258	205	390	337							192.5	139.5
	6	230	166	362	298							231.0	167.4
	7			334	260	467	393					269.5	193.0
	8			306	221	439	354					308.0	223.0
	9			278	183	411	316	543	448			346.5	251.1
	10			250	144	383	277	515	409	647	541	385.0	279.0
	11					355	239	487	371	619	503	423.5	306.9
	12					327	200	459	332	591	464	462.0	334.8
ARS-190SR	5	451	320	664	533							320.0	190.0
	6	413	256	626	469							384.0	227.0
	7			588	405	802	619					448.0	265.0
	8			550	341	764	555					512.0	303.0
	9			512	277	726	491	939	704			576.0	341.0
	10			474	213	688	427	901	640	1114	853	640.0	379.0
	11					650	363	863	576	1076	789	704.0	417.0
	12					612	299	825	512	1038	725	768.0	455.0
ARS-210SR	5	619	439	912	732							440.0	261.0
	6	566	351	859	644							528.0	313.0
	7			807	556	1101	850					616.0	365.0
	8			755	468	1049	762					704.0	417.0
	9			703	380	997	674	1290	967			792.0	469.0
	10			651	292	945	586	1238	879	1531	1172	880.0	521.0
	11					893	498	1186	791	1479	1084	968.0	573.0
	12					841	410	1134	703	1427	996	1056.0	625.0
ARS-240SR	5	766	572	1151	957							583.0	389.0
	6	688	455	1073	840							700.0	467.0
	7			995	724	1379	1108					816.0	545.0
	8			918	607	1302	991					933.0	622.0
	9			840	491	1224	875	1610	1261			1049.0	700.0
	10			762	374	1146	758	1532	1144	1916	1528	1166.0	778.0
	11					1068	641	1454	1027	1838	1411	1283.0	856.0
	12					990	525	1376	911	1760	1295	1399.0	934.0



气源压力 Air Pressure (Bar)		气源输出扭矩 / Output torque(Nm.)										弹簧输出扭矩 Spring Return Output	
型号/Model	弹簧数量 Spring Qty.	3bar		4bar		5bar		6bar		7bar		90° Start	0° End
		0° Start	90° End	0° Start	90° End	0° Start	90° End	0° Start	90° End	0° Start	90° End		
ARS-270SR	5	1434	979	2080	1625							960.0	505.0
	6	1333	787	1979	1433							1152.0	606.0
	7			1878	1241	2523	1886					1344.0	707.0
	8			1777	1049	2422	1694					1536.0	808.0
	9			1676	857	2321	1502	2967	2148			1728.0	909.0
	10			1575	665	2220	1310	2866	1956	3513	2603	1920.0	1010.0
	11					2119	1118	2765	1764	3412	2411	2112.0	1111.0
	12					2018	926	2664	1572	3311	2219	2304.0	1212.0
ARS-300SR	5	1522	1102	2271	1851							1145.0	725.0
	6	1377	873	2126	1622							1374.0	870.0
	7			1981	1393	2730	2142					1603.0	1015.0
	8			1836	1164	2585	1913					1832.0	1160.0
	9			1691	935	2440	1684	3189	2433			2061.0	1305.0
	10			1546	706	2295	1455	3044	2204	3793	2953	2290.0	1450.0
	11					2150	1226	2899	1975	3648	2724	2519.0	1595.0
	12					2005	997	2754	1746	3503	2495	2748.0	1740.0
ARS-400SR	7	2812	1768									2881.0	1837.0
	8	2550	1225									3292.0	2099.0
	9	2259	768	3887	2396							3704.0	2362.0
	10	1967	311	3595	1939	5223	3567					4115.0	2624.0
	11			3303	1482	4931	3110	6559	4738			4527.0	2886.0
	12			3012	1025	4641	2653	6268	4281	7895	5908	4938.0	3149.0
	13					4348	2195	5976	3823	7603	5450	5350.0	3411.0
	14					4057	1738	5685	3366	7312	4993	5761.0	3674.0
	15					3765	1281	5393	2909	7020	4536	6173.0	3936.0
	16							5101	2452	6728	4079	6584.0	4198.0

## 选型/How To Order

选型示例/Example: ARS-83SR10 FC-CCW HT

1 ARS	2 83	3 SR10	4 BLANK	5 FC-CCW	6 HT	7 BLANK
产品代号 Series	型号 Model	类型 Type	行程 Travel	装配类型 Assembly	工作温度 Operating Temperature	连接 Connection
ARS	45 52 · 400	DA SR10*	BLANK(90)	FC-CCW CCW · ·	标准型 BLANK: -20°C~+80°C 高温型 HT: -20°C~+150°C 低温型 LT: -40°C~+120°C	标准 BLANK (Standard) Options*
		*SR+Spring Qty. 弹簧数量				*示例/Example: F04.DS11.30-80 H30

更多非标定制请联系我们获取详细说明



开拓进取 精益求精  
Pioneering Excellence

**无锡爱圣拓克流体控制有限公司**  
**Ascend Torque Flow Controls Co., Ltd.**

地址: 江苏省无锡市惠山区长安街道城塘路28号

ADD: 28 Chengtang Road, Huishan District, Wuxi 214174, Jiangsu, China.

电话(TEL): +86-510-88887800 / 88770768

传真(FAX): +86-510-88770718

Email: [kaka@ascendtorque.com](mailto:kaka@ascendtorque.com)

<http://www.ascendtorque.com>

\* 本文中的信息 (包括产品规格) 有可能会变更, 恕不另行通知。请访问网站或联系我们以获取更多最新资讯。  
Information contained herein, including the product specification is subject to change without notice.  
Please visit our website or contact us for more information.



修订版/REVISED EDITION

Ascend ARS R&P\_24.04